

MULTI JET SUPER DRY WATER METER

APPLICATION

Measuring the volume of cold potable water passing through the pipeline

FEATURES

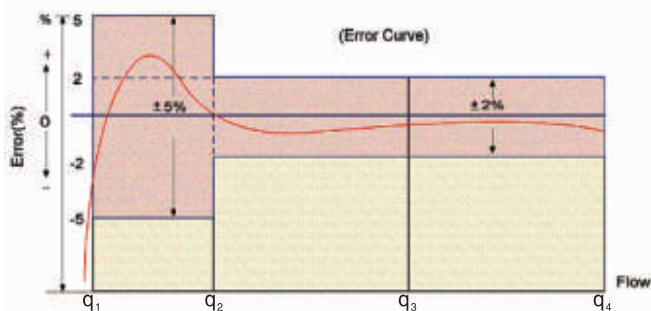
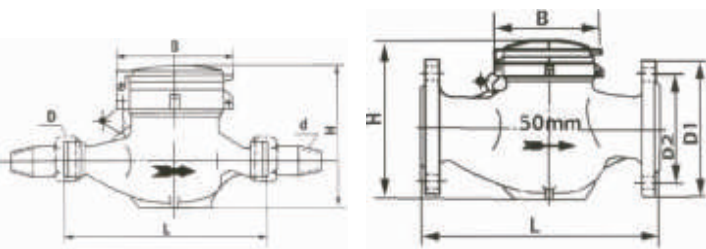
Multi jet, dry type, magnetic drive, anti-magnetic protection
Pointer-roller indicator, easy and long term clear reading, frost resistance, long durability
Option: Available with pulse output function & non-return valve

MAIN TECHNICAL DATA (ISO 4064-1: 2005)

DN Size	mm inch	15 1/2"	20 3/4"	25 1"	32 1" 1/4	40 1" 1/2	50 2"
Q4(m ³ /h)		3.125	5	7.875	12.5	20	31.25
Q3(m ³ /h)		2.5	4	6.3	10	16	25
R80	Q2(l/h)	50	80	126	200	320	500
	Q1(l/h)	31.25	50	78.75	125	200	312.5
R100	Q2(l/h)	40	64	100.8	160	256	400
	Q1(l/h)	25	40	63	100	160	250
R125	Q2(l/h)	32	51.2	80.64	128	204.8	320
	Q1(l/h)	20	32	50.4	80	128	200
R160	Q2(l/h)	22.5	40	63	100	160	250
	Q1(l/h)	15.62	25	39.37	62.5	100	156.2
Min. Reading (m3)		0.00005	0.00005	0.00005	0.00005	0.001	0.001
Max. Reading (m3)		99,999	99,999	99,999	99,999	999,999	999,999
Max. Pressure (MAP)		16	16	16	16	16	16
Pressure loss (Δp)		63	63	63	63	63	63
Max. Temperature		T50 for Cold Water T90 for Hot Water					
Pulse Output Option		Vmax=24V Imax=100mA Pmax=2W					

DIMENSIONS AND WEIGHTS

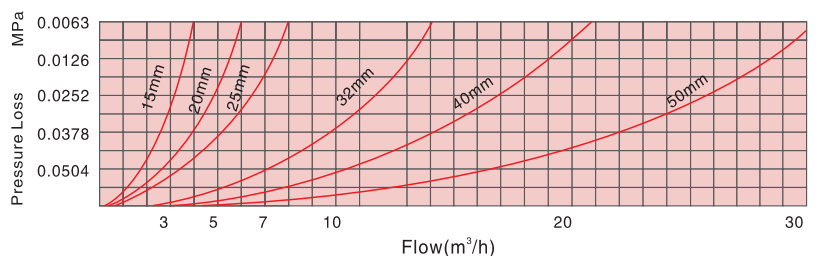
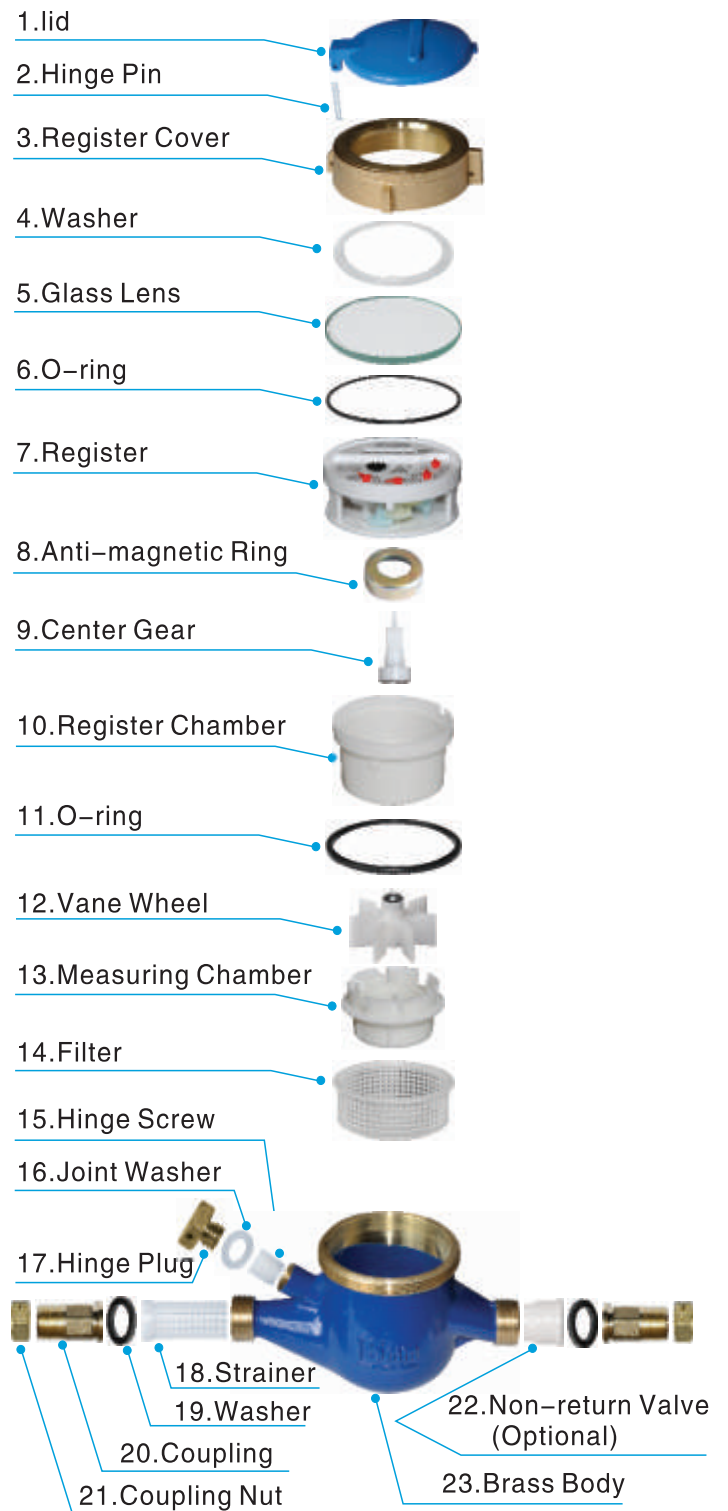
Size DN	mm in	15 1/2"	20 3/4"	25 1"	32 1" 1/4	40 1" 1/2	50 2"
Length(L)		165/190	190/195	225/260	230/260	245/300	280/300
Width(B)		99	99	103	104	124	125
Height(H)		104	106	114	117	147	172
Connecting Thread D		G 3/4B	G 1B	G1-1/4B	G1-1/2B	2B	G2-1/2B Flange ISO 7005
Weight (kg)		1.4/1.6	1.7/1.8	2.4/2.6	2.7/2.8	4.5/5.1	8.2/8.5 11/11.5



Accuflow[®]
Water Meter

Multi Jet Super Dry Water Meter

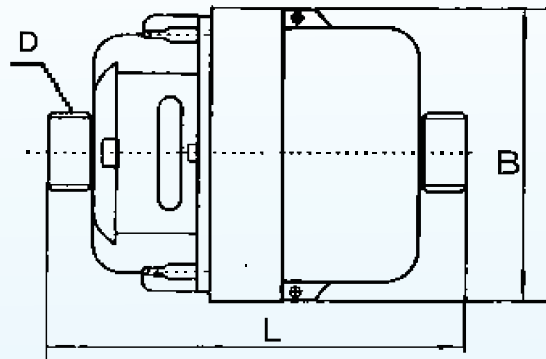
Exploded View



manikant brothers

6, Sarang Street, 1st Floor, Near Nagdevi Street
Mumbai - 400 003, India • Tel.: 2342 3408 / 2311 2337
Fax : 2342 6902 • Popular Intercom 12337
E-mail : mbrothers99@hotmail.com

VOLUMETRIC ROTARY PISTON PLASTIC BODY COLD WATER METER



APPLICATION:

- ◆ Measuring the volume of cold potable water passing through the pipeline.

FEATURES:

- ◆ Completely plastic shell, solid and robust design, long service guaranteed.
- ◆ High quality materials fiberglass reinforced polymerization amine (WRAS approved) corrosion resistance.
- ◆ Plastic thread connecting couplings.
- ◆ Optimum accuracy and performance at all times, in any position;
- ◆ Revolutionary grooved piston for improved, durability and performance;
- ◆ Durable tamperproof construction;
- ◆ Volumetric meter, on principle of piston rotation, accurate measurement, easy and long term clear reading, etc.
- ◆ Measuring accuracy is up to ISO4064, Class C/D

WORKING CONDITION:

- ◆ Water temperature: $\leq 50^{\circ}\text{C}$
- ◆ Water pressure: $\leq 1.6\text{MP}$ (16bar)

MAXIMUM PERMISSIBLE ERROR:

- ◆ In the lower zone from q_{\min} inclusive up to but excluding q_t is $\pm 5\%$
- ◆ In the upper zone from q_t inclusive up to and including q_s is $\pm 2\%$

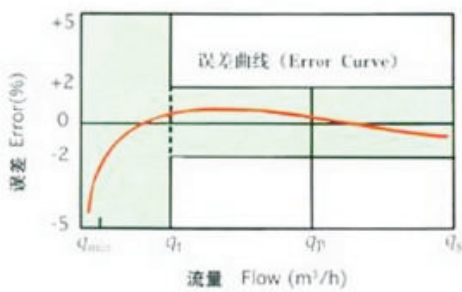
ACCESSORIES

Optional: Both brass connections and plastic connections are available.

Type	Size (mm)	Class	q _s Max.Flow	q _p Nominal Flow	q _t Transitional Flow	q _{min} Min. Flow	Min.Reading	Max.Reading
			m ³ /h		L/h			
LXH-15S	15	C	3	1.5	22.5	15.0	0.0001	9999
		D			17.25	11.25		
LXH-20S	20	C	5	2.5	37.5	25	0.0001	9999
		D			28.75	18.75		

Type	Size	Length	Width	Connection Thread	Weight
LXH-15S	15	115	90	G3/4B	0.6kg
LXH-20S	20	190	95	G1B	0.8kg

Flow Error Curve



Head Loss Curve

